

Hi-PoE Midspan User's Manual

V1.0.0

Important Safeguards and Warnings

Please read the following safeguards and warnings carefully before using the product in order to avoid damages and losses.

Note

- Do not expose the device to lampblack, steam or dust. Otherwise it may cause fire or electric shock.
- Do not install the device at position exposed to sunlight or in high temperature. Temperature rise in device may cause fire.
- Do not expose the device to humid environment. Otherwise it may cause fire.
- The device must be installed on solid and flat surface in order to guarantee safety under load and earthquake. Otherwise, it may cause device to fall off or turnover.
- Do not place the device on carpet or quilt.
- Do not block air vent of the device or ventilation around the device. Otherwise, temperature in device will rise and may cause fire.
- Do not place any object on the device.
- Do not disassemble the device without professional instruction.

Warning:

- Please use battery properly to avoid fire, explosion and other dangers.
- Please replace used battery with battery of the same type.
- Do not use power line other than the one specified. Please use it properly. Otherwise, it may cause fire or electric shock.

Special Announcement

- This manual is for reference only.
- All the designs and software here are subject to change without prior written notice.
- All trademarks and registered trademarks are the properties of their respective owners.
- If there is any uncertainty or controversy, please refer to the final explanation of us.
- Please visit our website for more information.

Table of Contents

1	Product Overview	- 1 -
1.1	Features.....	- 1 -
1.2	Typical Application	- 1 -
2	Device Structure	- 2 -
2.1	Appearance Port.....	- 2 -
	Front panel.....	- 2 -
	Rear panel	- 2 -
3	Installation Guide.....	- 3 -
4	Appendix 1 Technical Specification	- 4 -

1 Product Overview

Hi-PoE Midspan is mainly used to provide PoE transmission for IPC. Meanwhile, it is equipped with PoE extender with multilevel cascade, providing long-distance PoE transmission for IP Camera.

1.1 Features

- Support Hi-PoE 60W PTZ camera PoE transmission.
- Port: 1*RJ45 10/100/1000M non-PoE port, 1*RJ45 10/100/1000M PoE port.
- Indicator status: power (normal power on), PoE (Ethernet power supply).
- Operating temperature: $-30^{\circ}\text{C} \sim 65^{\circ}\text{C}$.
- Installation mode: wall mount.

1.2 Typical Application

See Figure 1-1 for mode details about typical networking scene.

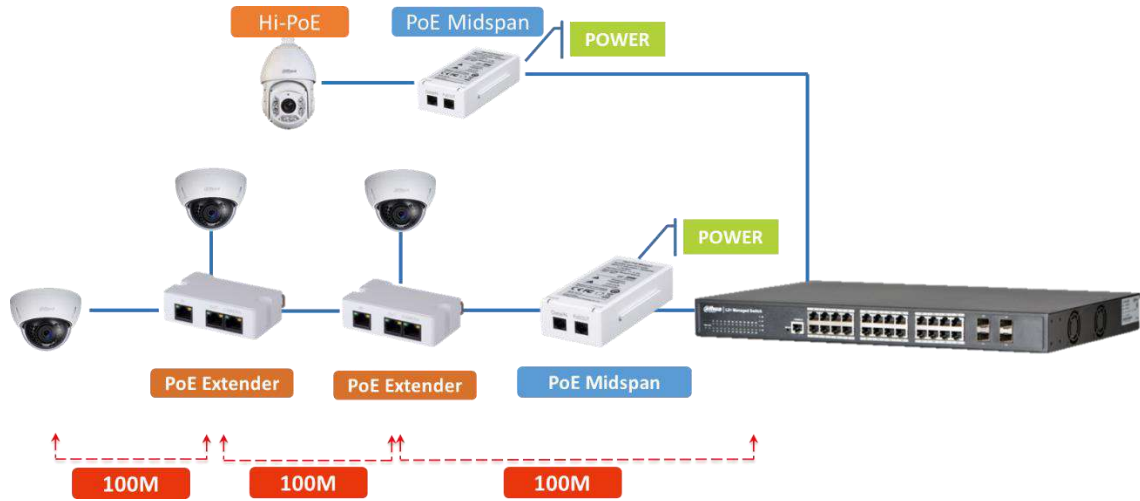


Figure 1-1

2 Device Structure

2.1 Appearance Port

Front panel

The front panel is shown in Figure 2-1.

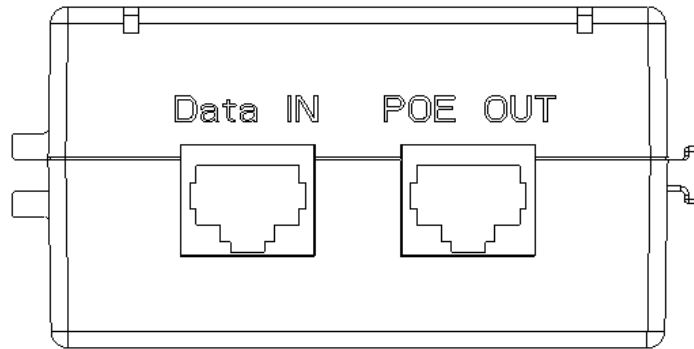


Figure 2-1

Refer to Table 2-1 and Table 2-2 for more details.

Indicator	Note	Color	Device Status
PWR	Power status indicator	Green	Normal power connection
PoE	PoE power output indicator	Green	Normal power supply transmission

Table 2-1

Port Name	Note
DATA	1*10/100/1000M RJ45 port, used to connect to uplink device, it only transmits Ethernet data for non-PoE port.
PoE	1*10/100/1000M RJ45 port, used to connect to IP Camera or PoE extender, PoE power supply.

Table 2-2

Rear panel

The rear panel is shown in Figure 2-2.

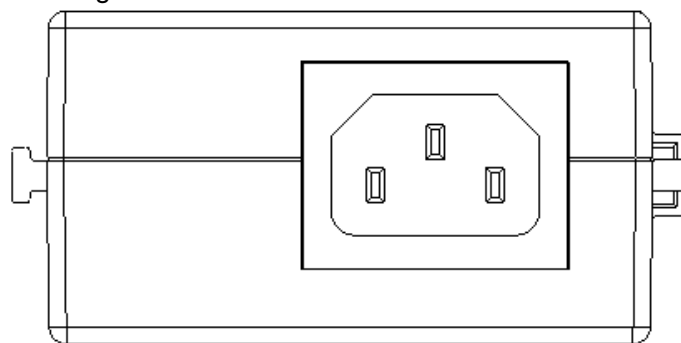


Figure 2-2

Refer to Table 2-3 for more details.

Port Name	Note
Power Port	Three-core power cable port, support AC 100~240 V, 50/60HZ input

Table 2-3

3 Installation Guide

Hi-PoE Midspan supports wall mount. Please refer to Figure 3-1 for more details.

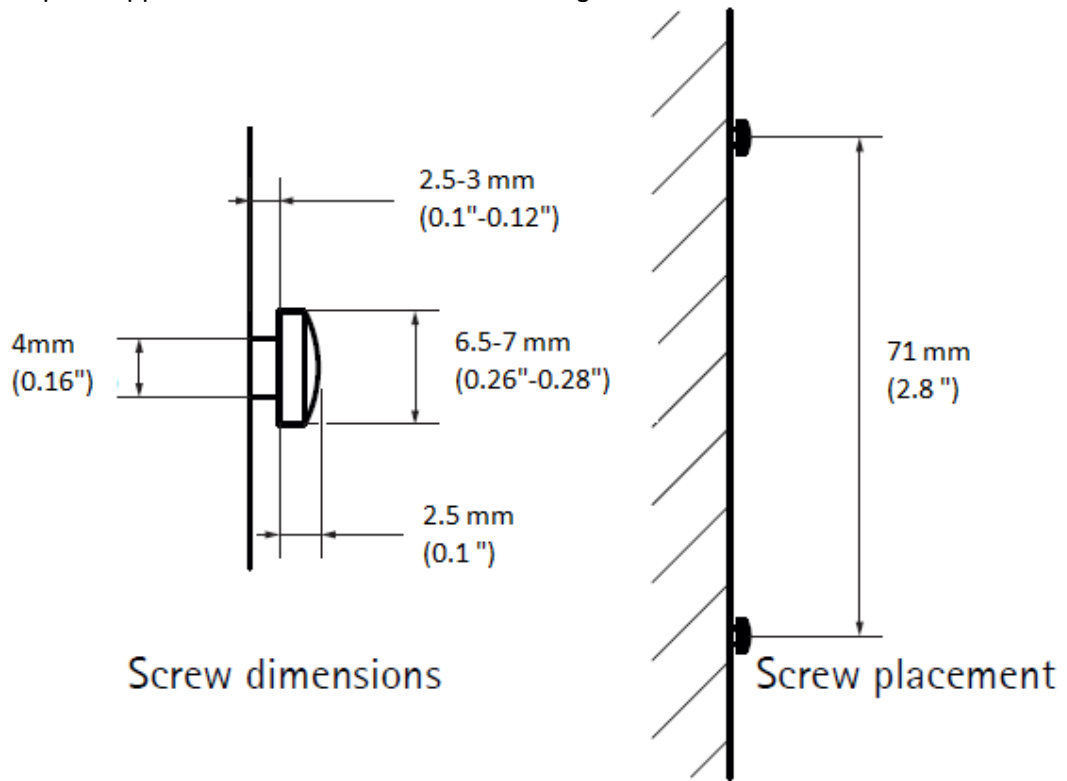


Figure 3-1

4 Appendix 1 Technical Specification

Technical Parameter	PFT1200
Port	1*10/100/1000 Base-T 1*10/100/1000 Base-T POE power supply
PoE Power Supply	Support Hi-PoE 60W
Lightning Protection Level	Level 3
Indicator	Power indicator, PoE status indicator
Power	AC 100~240 V, 50/60HZ input DC53V 1.2A output
Power Consumption	Unit device 65W
Operating Humidity	10%~90%
High & Low Temperature	- 30°C ~65°C
Weight	390g
Dimension	150mm*70mm*39mm

Table 4-1

Please refer to Figure 4-1 for the device dimension.

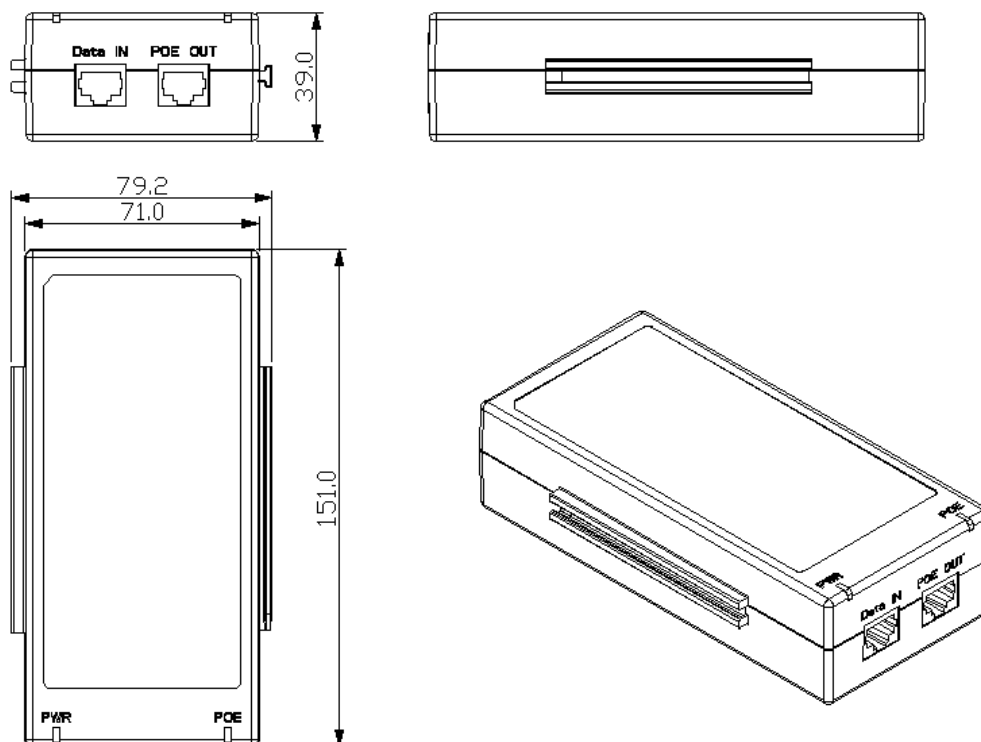


Figure 4-2

Note

- This user's manual is for reference only.
- Slight difference may be found in user interface.
- All the designs and software here are subject to change without prior written notice.
- All trademarks and registered trademarks are the properties of their respective owners.
- If there is any uncertainty or controversy, please refer to the final explanation of us.
- Please visit our website for more information.